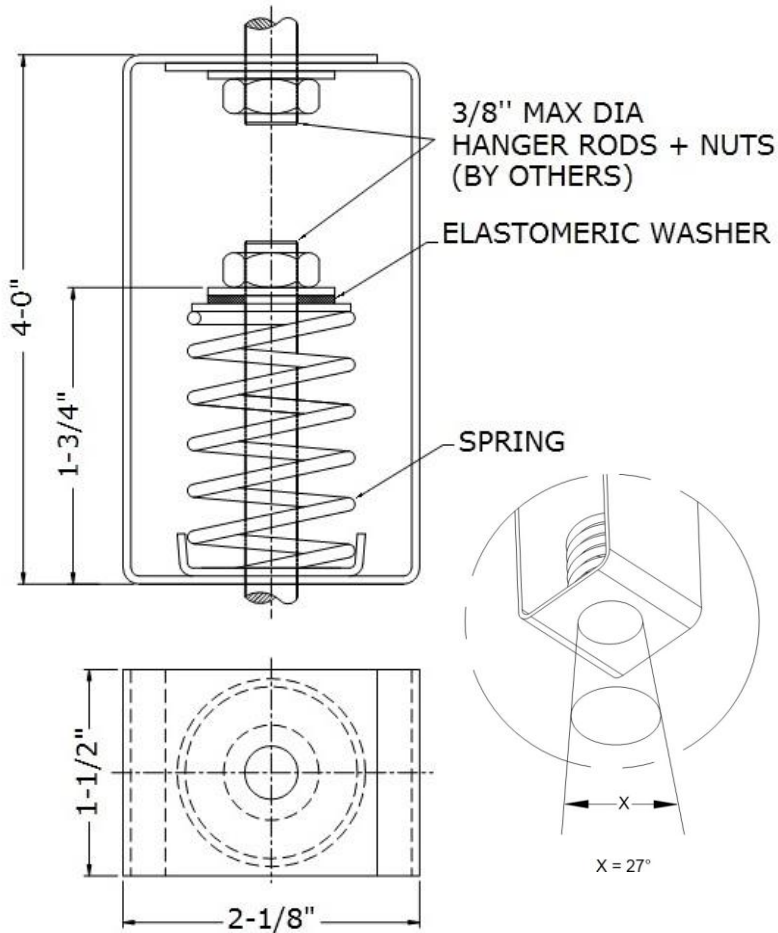


SPRING HANGERS

(SH- Series 3/4" Deflection)

SH series spring hangers are steel springs housed in rectangular steel brackets. The assembly incorporates dual (Steel and Elastomer) washers for uniform load distribution and high frequency isolation. These spring hangers are normally used in critical areas where noise and vibration need to be controlled.



NOTES:

- Bracket: Blue Powder Coated
- Spring: Hot Dip Galvanized
- Design allows angular hanger misalignment
- Hanger Rods and Nuts not included

APPLICATIONS:

- Fan Coil Units
- Air Handling Units
- Fans
- Pipes
- Ducts

| ISOLATOR MODEL | RATED LOAD (LBS) | RATED DEFLECTION (INCH) | COLOR | |
|----------------|------------------|-------------------------|--------|--------|
| | | | MAIN | STRIPE |
| SH-011 | 30 | 0.75 | SILVER | BLUE |
| SH-012 | 66 | 0.75 | SILVER | RED |
| SH-013 | 105 | 0.75 | SILVER | YELLOW |
| SH-014 | 150 | 0.75 | SILVER | WHITE |
| SH-015 | 225 | 0.75 | SILVER | BLACK |